

GA-A24265

**LARGE-SCALE PRODUCTION OF HYDROGEN
BY NUCLEAR ENERGY FOR
THE HYDROGEN ECONOMY**

by

**K.R. SCHULTZ, L.C. BROWN, G.E. BESENBRUCH,
and C.J. HAMILTON**

FEBRUARY 2003

DISCLAIMER

This report was prepared as an account of work sponsored by an agency of the United States Government. Neither the United States Government nor any agency thereof, nor any of their employees, makes any warranty, express or implied, or assumes any legal liability or responsibility for the accuracy, completeness, or usefulness of any information, apparatus, product, or process disclosed, or represents that its use would not infringe privately owned rights. Reference herein to any specific commercial product, process, or service by trade name, trademark, manufacturer, or otherwise, does not necessarily constitute or imply its endorsement, recommendation, or favoring by the United States Government or any agency thereof. The views and opinions of authors expressed herein do not necessarily state or reflect those of the United States Government or any agency thereof.

GA-A24265

LARGE-SCALE PRODUCTION OF HYDROGEN BY NUCLEAR ENERGY FOR THE HYDROGEN ECONOMY

by

**K.R. SCHULTZ, L.C. BROWN, G.E. BESENBRUCH,
and C.J. HAMILTON**

This is a preprint of a paper to be presented at the National Hydrogen Association Annual Conference, April 6-9, 2003, in Washington, DC and to be published in the *Proceedings*.

**Work supported by
the U.S. Department of Energy
under Grant No. DE-FG03-99SF21888**

**GENERAL ATOMICS PROJECT 30047
FEBRUARY 2003**

LARGE-SCALE PRODUCTION OF HYDROGEN BY NUCLEAR ENERGY FOR THE HYDROGEN ECONOMY

K.R. Schultz, L.C. Brown, G.E. Besenbruch, C.J. Hamilton
General Atomics, P. O. Box 85608, San Diego, California 92186, USA
Phone: 858-455-4304, Fax: 858-455-2838, Email: ken.schultz@gat.com

1. Introduction

The “Hydrogen Economy” will reduce petroleum imports and greenhouse gas emissions. However, current commercial hydrogen production processes use fossil fuels and releases carbon dioxide. Hydrogen produced from nuclear energy could avoid these concerns.

Hydrogen can replace fossil fuels in transportation, reducing vehicle emissions of CO₂, NO_x and SO_x and making possible fuel cell vehicles with double the mileage of conventional engines. A significant “Hydrogen Economy” is predicted that will end our dependence on petroleum and reduce pollution and greenhouse gas emissions [1]. Hydrogen is an environmentally attractive fuel that has the potential to displace fossil fuels, but contemporary hydrogen production is primarily based on fossil fuels. This industry produces hydrogen for use in production for fertilizers, in oil refineries to lighten heavy crude oils and produce clearer-burning fuels, and for other industrial uses, primarily by steam reformation of methane. In the USA, this hydrogen industry produces 11 million tons of hydrogen a year with a thermal energy equivalent of 48 GW(t). In so doing, it consumes 5% of the U.S. natural gas usage and releases 74 million tons of CO₂. Transition to a Hydrogen Economy will require significant expansion in the production and use of hydrogen. Use of hydrogen for all our transportation energy needs would require a factor of 18 more hydrogen than currently used. Use of hydrogen for all our non-electric energy needs would require a factor of 40 increase. Clearly, new sources of hydrogen will be needed. Hydrogen produced using nuclear energy can be one of the sources.

Hydrogen could be produced from nuclear energy by several means. Electricity from nuclear power can separate water into hydrogen and oxygen by electrolysis. The net efficiency is the product of the efficiency of the reactor in producing electricity, times the efficiency of the electrolysis cell, which, at the high pressure needed for distribution and utilization, is about 75%-80%. For LWRs with 32% electrical efficiency the net efficiency is about 24%-26%. If an advanced high temperature reactor with 48% electrical efficiency is used, the net efficiency could be about 36-38%. Thermochemical water-splitting processes offer the promise of heat-to-hydrogen efficiencies of ~50%.

We have recently completed a three-year project for the U.S. Department of Energy whose objective was to “define an economically feasible concept for production of hydrogen, by nuclear means, using an advanced high-temperature nuclear reactor as the energy source.” Thermochemical water-splitting, a chemical process that accomplishes the decomposition of water into hydrogen and oxygen, met this objective. The goal of the first phase of this study

was to evaluate thermochemical processes which offer the potential for efficient, cost-effective, large-scale production of hydrogen and to select one for further detailed consideration [2]. We selected the Sulfur-Iodine cycle. In the second phase, we reviewed all the basic reactor types for suitability to provide the high temperature heat needed by the selected thermochemical water splitting cycle and chose the helium gas-cooled reactor [3]. In the third phase we designed the chemical flowsheet for the thermochemical process and estimated the efficiency and cost of the process and the projected cost of producing hydrogen. These results are summarized in this paper.

2. Thermochemical Water-Splitting

Thermochemical water-splitting is the conversion of water into hydrogen and oxygen by a series of thermally driven chemical reactions. The direct thermolysis of water requires temperatures in excess of 2500°C for significant hydrogen generation.



A thermochemical water-splitting cycle accomplishes the same overall result using much lower temperatures. The Sulfur-Iodine cycle is a prime example of a thermochemical cycle. It consists of three chemical reactions, which sum to the dissociation of water.



Energy, as heat, is input to a thermochemical cycle via one or more endothermic high-temperature chemical reactions. Heat is rejected via one or more exothermic low temperature reactions. All the reactants, other than water, are regenerated and recycled. In the Sulfur-Iodine (S-I) cycle most of the input heat goes into the dissociation of sulfuric acid, (3). Sulfuric acid and hydrogen iodide are formed in the exothermic reaction of H₂O, SO₂ and I₂ (2) and the hydrogen is generated in the decomposition of hydrogen iodide (4).

In phase one of the DOE-supported study described in Ref. 2, General Atomics, Sandia National Laboratories and Univ. of Kentucky carried out a search of the world literature on thermochemical water-splitting cycles. We located and catalogued 822 references and identified 115 separate thermochemical water-splitting cycles. We evaluated these against quantifiable screening criteria and selected the 25 most promising for detailed technical evaluation. We studied the chemical thermodynamics of these cycles and prepared preliminary engineering block flow diagrams to evaluate practicality. We focused our attention on pure thermochemical cycles and chose the University of Tokyo 3 (UT-3) Ca-Br-Fe cycle and the S-I cycle as the two best suited for high efficiency, practical application to a nuclear heat source. Of the two candidates, the S-I cycle has the highest reported efficiency (~50%) while the UT-3 cycle appears limited to about 40% by the 760°C melting point of CaBr₂. Further, the S-I cycle is an all-fluid cycle, while the UT-3 cycle utilizes solid-gas reactions with potential solid material handling and attrition concerns. We chose the S-I cycle, shown schematically on Fig. 1 for our work.

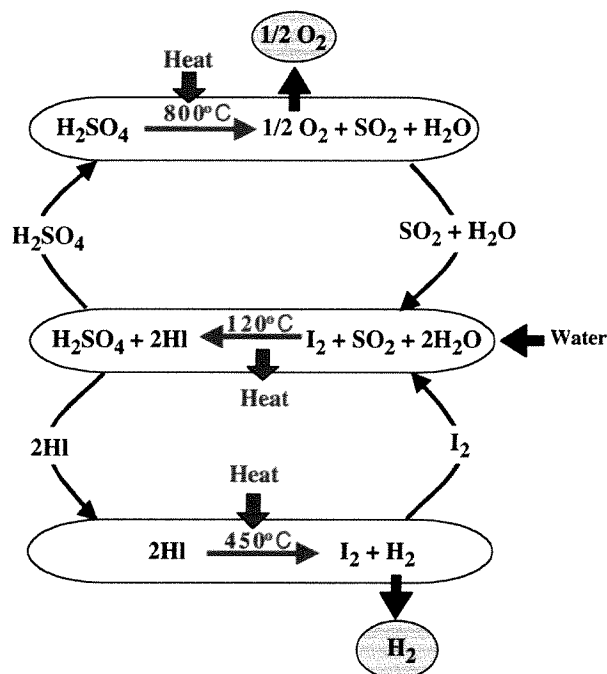


Figure 1. The S-I thermochemical water-splitting cycle is well suited for hydrogen production by nuclear energy.

The S-I cycle was invented at General Atomics in the mid 1970s and first described in Ref. 4. In this cycle, iodine and sulfur dioxide are added to water, forming hydrogen iodide and sulfuric acid in an exothermic reaction (2). Under proper conditions, these compounds are immiscible and can be readily separated. The sulfuric acid can be decomposed at about 850°C releasing the oxygen and recycling the sulfur-dioxide (3). The hydrogen iodide can be decomposed at about 400°C , releasing the hydrogen and recycling the iodine (4). The net reaction is the decomposition of water into hydrogen and oxygen (1). The whole process takes in only water and high temperature heat and releases only hydrogen, oxygen and low temperature heat. All reagents are recycled; there are literally no effluents. Each of the major chemical reactions of this process was demonstrated in the laboratory at GA. Work was done for application of this cycle to heat supplied by nuclear, solar and fusion energy sources. Decomposition of sulfuric acid and hydrogen iodide involve aggressive chemical environments. Materials candidates were chosen and corrosion tests performed to select preferred materials. The high temperature sulfuric acid decomposition reaction was demonstrated in the Solar Power Tower at the Georgia Institute of Technology. A schematic for the process is shown in Fig. 2.

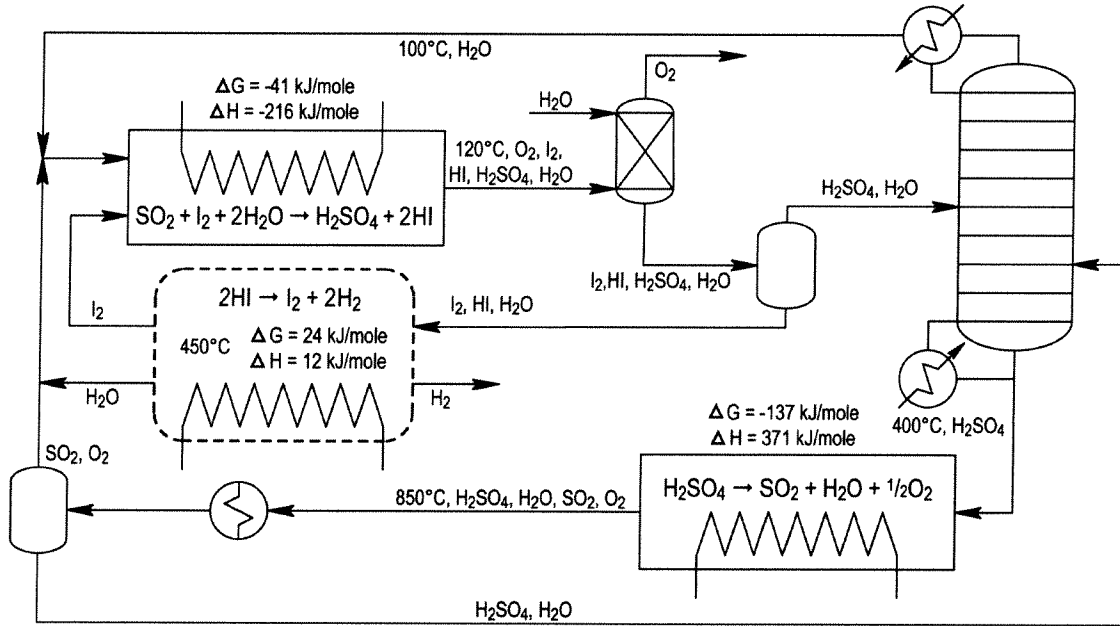


Figure 2. Sulfur-Iodine thermochemical water-splitting process schematic.

The S-I cycle does require high temperatures, but offers the prospects for high efficiency conversion of heat energy to hydrogen energy as shown on Fig. 3.

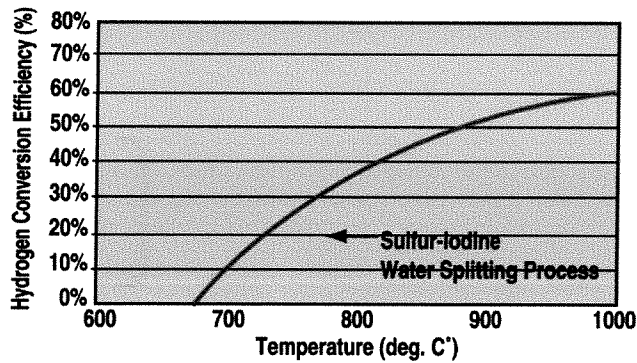


Figure 3. Estimated S-I process thermal-to-hydrogen efficiency vs. peak process temperature.

3. Selection of Nuclear Reactor

Sandia National Laboratories evaluated various nuclear reactors for their ability to provide the high temperature heat needed by the S-I process, and to be interfaced safely and economically to the hydrogen production process [3]. The recommended reactor technology should require minimal technology development to meet the high temperature requirement and should not present any significant design, safety, operational, or economic issues.

We will use an intermediate helium loop between the reactor coolant loop and the hydrogen production system. This assures that any leakage from the reactor coolant loop will not contaminate the hydrogen production system or expose hydrogen plant personnel to radiation from the primary loop coolant. It also assures that the corrosive process chemicals cannot enter the core of the nuclear reactor. The heat exchanger interface sets the boundary conditions for selection of the reactor system. The principal requirement is the temperature requirement for the Sulfur-Iodine cycle, which must account for the temperature drop between the core outlet and the point of application in the hydrogen production system. We assumed a required reactor outlet temperature of 950°C. This should give a peak process temperature of 950°C and a process efficiency of 51%.

The reactor coolant becomes a primary consideration for determining which concepts are most appropriate. The reactor/coolant types considered include pressurized water-cooled reactors, boiling water-cooled reactors, alkali liquid metal-cooled reactors, heavy liquid metal-cooled reactors, gas-cooled reactors, organic-cooled reactors, molten salt-cooled reactors, liquid-core reactors, and gas-core reactors. The reactor types were assessed against the five requirements and five important criteria given in Table I.

Table I. Reactor selection requirements and criteria

<p>Basic Requirements</p> <ol style="list-style-type: none">1. Chemical compatibility of coolant with primary loop materials and fuel.2. Coolant molecular stability at operating temperatures in a radiation environment.3. Pressure requirements for primary loop.4. Nuclear requirements: parasitic neutron capture, neutron activation, fission product effects, gas buildup, etc.5. Basic feasibility, general development requirements, and development risk <p>Important Criteria</p> <ol style="list-style-type: none">1. Safety2. Operational issues3. Capital costs4. Intermediate loop compatibility5. Other merits and issues

Based on this assessment, and upon evaluation of the relative development requirements for candidate reactors, the following conclusions and recommendations were made:

- PWR, BWR, and organic-cooled reactors – not recommended: cannot achieve the high temperatures needed.

K.R. Schultz, et al.

- Liquid-core and alkali metal-cooled reactors – significant development risk due to materials concerns at the high temperatures needed.
- Heavy metal and molten salt-cooled reactors – promising, but significant development needed.
- Gas cooled reactors – baseline choice, only modest development needed for helium gas cooled reactor.
- Gas-core reactors – not recommended, too speculative

Helium gas-cooled reactors are recommended as the baseline choice for a reactor heat source for a Sulfur-Iodine thermochemical cycle for hydrogen production.

4. The Modular Helium Reactor

Selection of the helium gas-cooled reactor for coupling to the S-I hydrogen production process allows us to propose a design concept and do preliminary cost estimates for a system for nuclear production of hydrogen. The latest design for the helium gas cooled reactor is the Gas Turbine-Modular Helium Reactor [5]. This reactor consists of 600 MW(t) modules that are located in underground silos. The direct-cycle gas turbine power conversion system is located in an adjacent silo, as shown in Fig. 4.

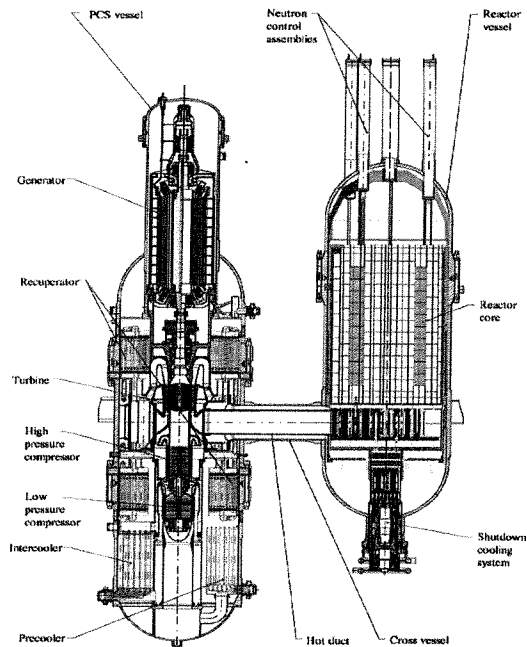


Figure 4. The GT-MHR.

This new generation of reactor has the potential to avoid the difficulties of earlier generation reactors that now have stalled nuclear power in the United States. The GT-MHR has high temperature ceramic fuel and a core design that provide passive safety. A catastrophic accident is not possible. Under all conceivable accident conditions, the reactor fuel stays well below failure conditions with no actions required by the plant operators or equipment. By avoiding the need for massive active safety back-up systems, the capital cost of the GT-MHR is reduced. The high temperature fuel also allows high efficiency power conversion. The gas turbine cycle is projected to give 48% efficiency.

The high helium outlet temperature also makes possible the use of the MHR for production of hydrogen using the S-I cycle. By replacing the gas turbine system with a primary helium circulator, an intermediate heat exchanger, an intermediate helium loop circulator and the intermediate loop piping to connect to the hydrogen production plant, the GT-MHR can be changed into the “H₂-MHR”, as shown in Fig. 5.

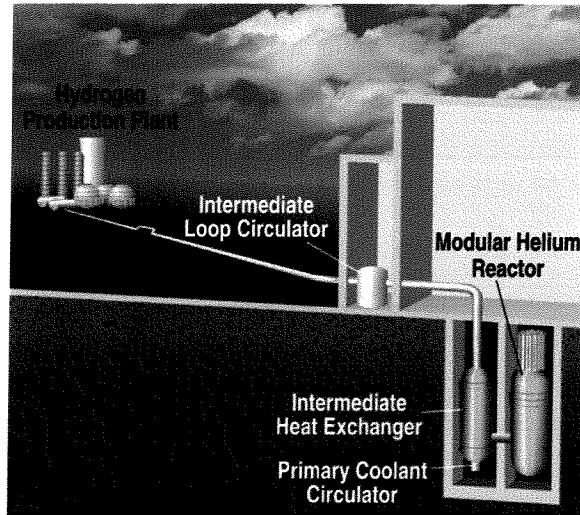


Figure 5. The H₂-MHR.

5. Economics Estimates

We have made preliminary projections about the economics of hydrogen production from nuclear energy. The Gas Turbine- Modular Helium Reactor has a predicted capital cost of \$975/kW(e) or \$468/kW(t). The predicted capital cost of the reactor portion of the GT-MHR (excluding the cost of the turbo-generator and including an intermediate heat exchanger, circulators and piping) is \$371/kW(t). This cost assumes a \$45/kW(t) premium to provide the 950°C needed for the S-I process instead of the 850°C outlet temperature of the GT-MHR. The cost of an intermediate helium coolant loop to connect the reactor to the hydrogen process plant is estimated to cost \$43/kW(t). We estimate that the S-I cycle hydrogen plant will cost \$255/kW(t), for a total H₂-MHR capital cost of \$669/kW(t). These costs are shown on Table II.

The operating cost of the GT-MHR is estimated to be 3.0 \$/MW(e)h for O&M cost plus \$7.4/MW(e)h for fuel cycle costs, for a total of \$10.4/MW(e)h or \$5.0/MW(t)h for all operating costs (fuel, O&M, waste disposal, decommissioning) [5]. The nuclear fuel cycle costs are unchanged whether we produce electricity or hydrogen. We assume the O&M costs scale with capital cost for the process heat MHR to \$1.1/MW(t)h, giving a total MHR operating cost of \$4.5/MW(t)h. The intermediate loop adds \$0.1/MW(t)h. The S-I cycle O&M cost is predicted to be ~7% of initial capital cost/year or \$2.2/MW(t)h. The total H₂-MHR plant operating cost is thus \$6.8/MW(t)h. These costs are shown on Table II, and assume 90% capacity factor.

Table II. Estimated H₂-MHR Capital and Operating Costs

	GT-MHR Electric Plant	MHR Process Heat Plant	Intermediate Loop	S-I Hydrogen Plant	Total H ₂ - MHR Plant
Capital cost, \$/kW(t)	468	371	43	255	669
Operating cost, \$/MW(t)h	5.0	4.5	0.1	2.2	6.8

Interest during construction, assumed to be 3 years, will add about 8% to the capital cost of the plant. Both the MHR and the S-I process are capital intensive. Thus the cost of hydrogen production depends on the interest rate used in the economic calculations. For a regulated utility, a typical capital recovery factor for investment is estimated to be 0.126. For an unregulated utility, it is estimated to be 0.166. The total costs are shown on Table III. At the 51% heat-to-hydrogen efficiency that the H₂-MHR would achieve with a 900°C peak process temperature, 1 MW(t)h of heat would produce 1836 MJ of hydrogen or 12.9 kg. Dividing the \$/MW(t)h costs in Table III by 12.9 gives the cost of hydrogen as \$1.43/kg and \$1.74/kg for regulated and unregulated utilities, respectively.

Table III. Estimated Cost of Hydrogen

	Capital Cost, [\$/MW(t)h]	Operating Cost [\$/MW(t)h]	Total Cost [\$/MW(t)h]	Hydrogen Cost (\$/kg)
Regulated utility rate	11.5	6.8	18.3	1.42
Unregulated utility rate	15.7	6.8	22.5	1.74

The cost of producing hydrogen from natural gas by steam reformation of methane depends strongly on the cost of the natural gas, which is used for both the feedstock and the energy source. At the current natural gas cost of \$4.50/MBTU, steam reformation can produce hydrogen for about \$1.15/kg. If carbon capture and sequestration is required, an estimated cost of up to \$100/ton of CO₂ could add as much as 20¢/kg of H₂ to the cost of hydrogen from methane. If the H₂-MHR were able to also sell the oxygen produced at some fraction of the current price of about 5.3¢/kg, it would reduce the cost of nuclear hydrogen production by as much as 40¢/kg of H₂. This would mean that nuclear production of hydrogen using the Modular Helium Reactor coupled to the Sulfur-Iodine thermochemical water-splitting cycle would be competitive with hydrogen produced by steam reformation of methane even at today's prices for natural gas. If neither CO₂ capture and sequestration is required, nor oxygen sales possible, the price of natural gas would only have to rise to about \$5.90/kg for hydrogen from a H₂-MHR at a regulated utility to compete with steam reformation of methane. As the price of natural gas rises with increasing demand and decreasing reserves, or as carbon sequestration becomes required, nuclear production of hydrogen would become more and more cost effective.

6. Conclusions

Nuclear energy is an attractive potential source of hydrogen for the Hydrogen Economy. A large hydrogen market already exists and it is growing rapidly to provide increasing amounts of hydrogen to oil refineries for upgrading heavy crude oils and producing clean-burning products. And this market is expected to continue growing at ~10%/yr, doubling by 2010 and doubling again by 2020. To transition to a “Hydrogen Economy” would take still more hydrogen. Serving all the U.S. transportation energy needs with hydrogen would multiply current hydrogen demand by a factor of 18. Serving all our non-electric energy needs would require a factor of 40 over current hydrogen production. New sources of hydrogen will be needed.

The recent DOE-supported study of nuclear production of hydrogen identified the Sulfur-Iodine thermochemical water-splitting cycle coupled to the Modular Helium Reactor (the H₂-MHR) as an attractive candidate system for hydrogen production.

Estimated costs presented in this paper show that hydrogen production by the H₂-MHR could be competitive with current techniques of hydrogen production from fossil fuels if CO₂ capture and sequestration is required and if the by-product oxygen can be sold. This favorable situation is expected to further improve as the cost of natural gas rises.

Nuclear production of hydrogen would allow large scale production of hydrogen at economic prices while avoiding the release of CO₂. Nuclear production of hydrogen could thus become the enabling technology for the Hydrogen Economy.

7. References

1. "A National Vision of America's Transition to a Hydrogen Economy — to 2030 and Beyond," National Hydrogen Vision Meeting document, U.S. Dept. of Energy, February 2002.
2. L. C. Brown, et al., "High Efficiency Generation of Hydrogen Fuels Using Thermochemical Cycles and Nuclear Power," AIChE 2002 Spring National Meeting, New Orleans, Louisiana (2002).
3. A. C. Marshal, "An Assessment of Reactor Types for Thermochemical Hydrogen Production," Sandia National Laboratories Report (2002).
4. G. E. Besenbruch, "General Atomic Sulfur-Iodine Thermochemical Water-Splitting Process," Am. Chem. Soc., Div. Pet. Chem. **271**, 48 (1982).
5. M. P. LaBar, "The Gas-Turbine-Modular Helium Reactor: A Promising Option for Near-Term Deployment," Intl. Cong. on Advanced Nuclear Power Plants, June 2002, Hollywood, Florida.

8. Acknowledgements

This work was supported by General Atomics and the U.S. Department of Energy under Grant No. DE-FG03-99SF21888.